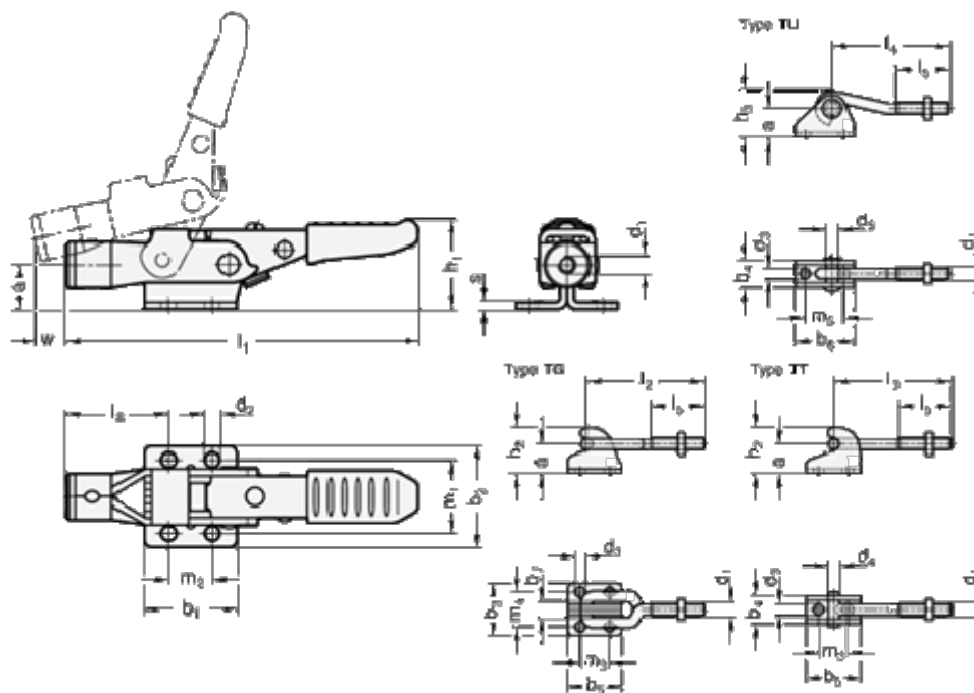


Article number: 20853700TTNI

Description: E+G Latch clamp with locking mechanism
GN 853-700-TT-NI

Measures



a = 28	d1 = M10	Holding force N = 7500	m2 = 41.5
b1 = 60	d2 = 6.5	l1 = 222	m3 = 31
b2 = 54	d3 = 8.5	l2 = 95.5	m4 = 25.4
b3 = 41	d4 = 9.0	l3 = 93.0	m5 = 31.0
b4 = 26	d5 = 10	l4 = 92.0	s = 3.5
b5 = 50	h1 = 53.0	l5 = 42	Size = 700
b6 = 50	h2 = 40.5	l6 = 51.0	w = 19
b7 = 11.0	h3 = 39.0	m1 = 38	